

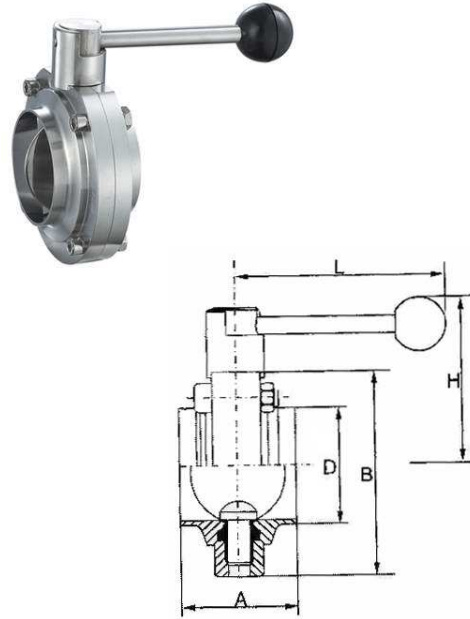
卫生级阀门 Sanitary Butterfly Valve (材质 Material: 304, 316, 316L)

卫生级焊接式蝶阀

Sanitary Welded Butterfly Valve

主要参数 Parameters(mm)

size	D	A	B	L	H
3/4"	19	50	78	130	82
1"	25.4	50	78	130	82
1-1/4"	32	50	78	130	82
1-1/2"	38	50	86	130	86
2"	51	52	102	140	96
2-1/2"	63.5	56	115	150	103
3"	76.3	58	128	150	110
3-1/2"	89	60	139	170	116
4"	101.6	64	154	170	122

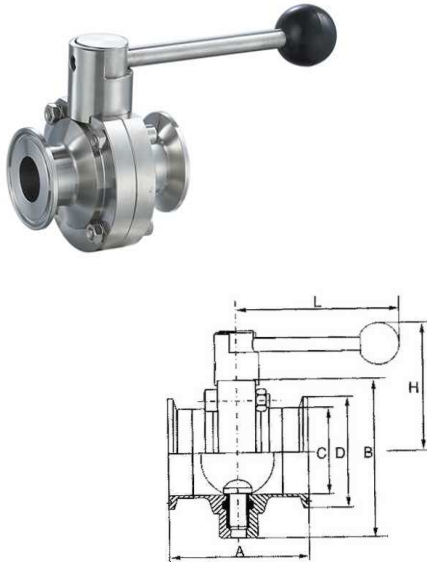


卫生级快装蝶阀

Sanitary Quick Butterfly Valve

主要参数 Parameters(mm)

size	C	D	A	B	L	H
3/4"	19	50.5	66	78	130	82
1"	25.4	50.5	66	78	130	82
1-1/4"	32	50.5	66	78	130	82
1-1/2"	38	50.5	70	86	130	86
2"	51	64	76	102	140	96
2-1/2"	63.5	77.5	80	115	150	103
3"	76.3	91	84	128	150	110
3-1/2"	89	106	90	139	170	116
4"	101.6	119	102	154	170	122

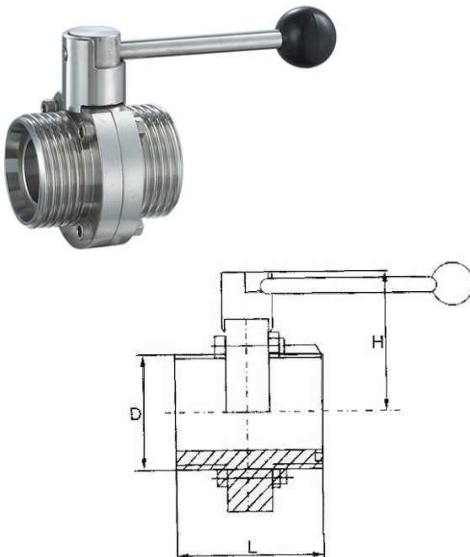


卫生级螺纹式蝶阀

Sanitary Threaded Butterfly Valve

主要参数 Parameters(mm)

size	D(ISO)	D(SMS)	D(DIN)	L	H
1"	40x3	40x1/6	52x1/6	66	82
1-1/4"	46x3	48x1/6	58x1/6	66	82
1-1/2"	55x3	60x1/6	65x1/6	70	86
2"	65x4	70x1/6	78x1/6	76	96
2-1/2"	85x4	85x1/6	95x1/6	80	103
3"	90x4	98x1/6	110x1/4	84	110
4"	120x5	132x1/6	130x1/4	104	126

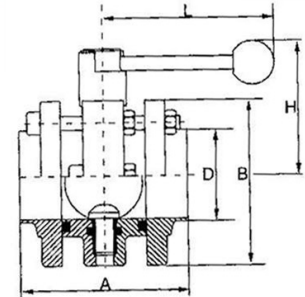


卫生级三片式蝶阀

Sanitary 3PC Butterfly Valve

主要参数 Parameters(mm)

size	D	A	B	L	H
3/4"	19	100	78	130	82
1"	25.4	100	78	130	82
1-1/4"	32	100	78	130	82
1-1/2"	38	100	86	130	86
2"	51	104	102	140	96
2-1/2"	63.5	112	115	150	103
3"	76.3	112	128	150	110
3-1/2"	89	120	139	170	115
4"	101.6	128	154	170	122

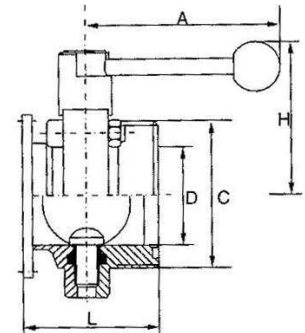


卫生级法兰蝶阀

Sanitary One End Flange; One End Threaded Butterfly Valve

主要参数 Parameters(mm)

size	D	C	L	A	H
1"	28	RD52x1/6"	62	116	73
1-1/4"	34	RD58x1/6"	59	116	76
1-1/2"	40	RD65x1/6"	61	116	70
2"	52	RD78x1/6"	66	126	88
2-1/2"	70	RD95x1/6"	69	135	96
3"	85	RD110x1/4"	75	135	106
4"	104	RD130x1/4"	77	160	116
5"	129	RD160x1/4"	88	170	145
6"	154	RD190x1/4"	100	170	160



卫生级电动蝶阀

Electric Sanitary Butterfly Valve

主要参数 Parameters(mm)

size	D	A	B
3/4"	19	50	78
1"	25.4	50	78
1-1/4"	32	50	78
1-1/2"	38	50	86
2"	51	52	102
2-1/2"	63.5	56	115
3"	76.3	58	128
3-1/2"	89	60	139
4"	101.6	64	154

